

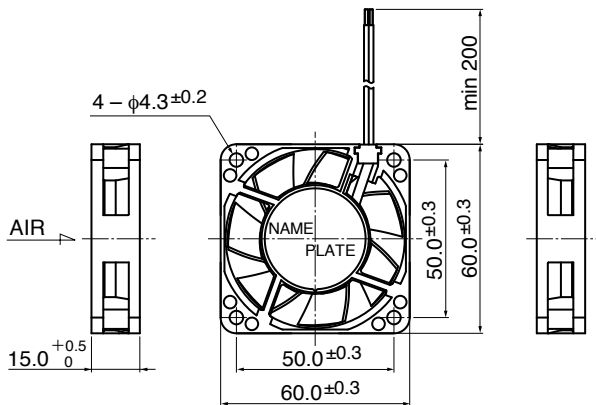
06015VA (2406VL)

DC Axial Fan

60[□]X15^L



Outline



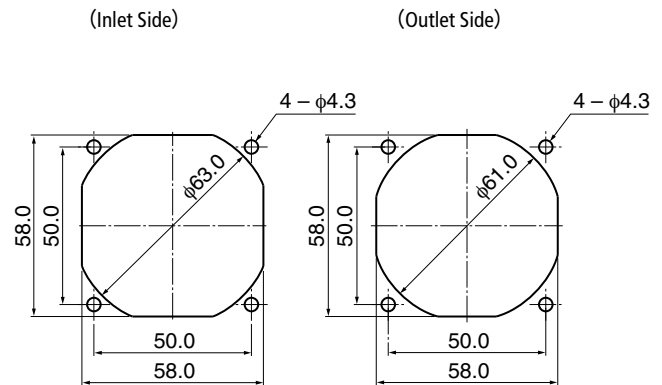
General Specifications

| | |
|-------------------------------------|--|
| Motor Protection | Auto Restart / Polarity Protection |
| Insulation Resistance | 10MΩ or over with a DC500V Megger |
| Dielectric Withstand Voltage | : AC700V 1s |
| Allowable Ambient Temperature Range | : - 10°C ~ + 70°C (Operating) - 40°C ~ + 70°C (Storage) non-condensing environment |

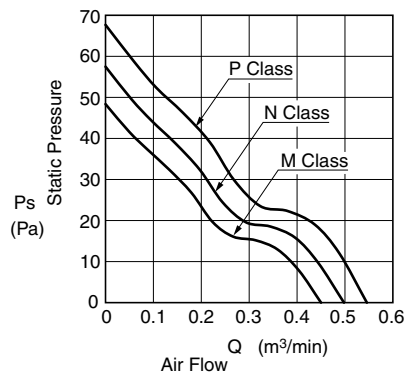
Expected Life ※ Failure Rate: 10% (L10 Life)

60°C 40,000 (Hours)

Panel Out-cuts



Characteristic Curves



Material

| | |
|-----------|-----------------------------------|
| Casing | : Plastic (Black) UL94V-0 |
| Impeller | : Plastic (Black) UL94V-0 |
| Bearing | : Ball Bearing |
| Lead Wire | : UL3385 AWG26 + : Red, - : Black |

Customize service for IP compatible type and Oil-proof type is available for this item. Please contact to our sales representative for more detail.

Specifications

| Model | Product Number | Rating Voltage | Operating Voltage | Current (A)*1 | Input Power (W)*1 | Speed (min-1)*1 | Max Air Flow | | Max Static Pressure | | Noise (dB)*1 | Mass (g) |
|-----------------|----------------|----------------|-------------------|---------------|-------------------|-----------------|--------------|---------|---------------------|------------|--------------|----------|
| | | (V) | (V) | | | | (m³/min)*1 | (CFM)*1 | (Pa) | (In H2O)*1 | | |
| 06015VA-12L-AA- | 00 | 12 | 6.0 ~ 13.8 | 0.08 | 0.96 | 4100 | 0.41 | 14.5 | 39 | 0.16 | 28.5 | 55 |
| 06015VA-12M-AA- | 00 | | | 0.11 | 1.32 | 4600 | 0.45 | 15.9 | 48.3 | 0.19 | 31.0 | |
| 06015VA-12N-AA- | 00 | | | 0.12 | 1.44 | 5100 | 0.50 | 17.7 | 57.5 | 0.23 | 33.5 | |
| 06015VA-12P-AA- | 00 | | | 0.13 | 1.56 | 5600 | 0.55 | 19.4 | 67.7 | 0.27 | 36.5 | |
| 06015VA-24L-AA- | 00 | 24 | 10.0 ~ 27.6 | 0.04 | 0.96 | 4100 | 0.41 | 14.5 | 39 | 0.16 | 28.5 | |
| 06015VA-24M-AA- | 00 | | | 0.05 | 1.20 | 4600 | 0.45 | 15.9 | 48.3 | 0.19 | 31.0 | |
| 06015VA-24N-AA- | 00 | | | 0.06 | 1.44 | 5100 | 0.50 | 17.7 | 57.5 | 0.23 | 33.5 | |
| 06015VA-24P-AA- | 00 | | | 0.07 | 1.68 | 5600 | 0.55 | 19.4 | 67.7 | 0.27 | 36.5 | |

Rotation: Clockwise as seen from the label side
Airflow Outlet: Label side

*1: Average Values in Free Air

General Specifications

Motor Protection:

Auto Restart/Polarity Protection

Insulation Resistance:

10M Ω or over with a DC500V Megger

Dielectric Withstand Voltage: AC 700V 1s

Allowable Ambient Temperature Range:

-10°C ~ +70°C (Operating)

-40°C ~ +70°C (Storage)

IP Code: IP69K

Expected Life

25°C 100,000 Hours (L10)

Material

Casing : Plastic (Black) UL94V-0

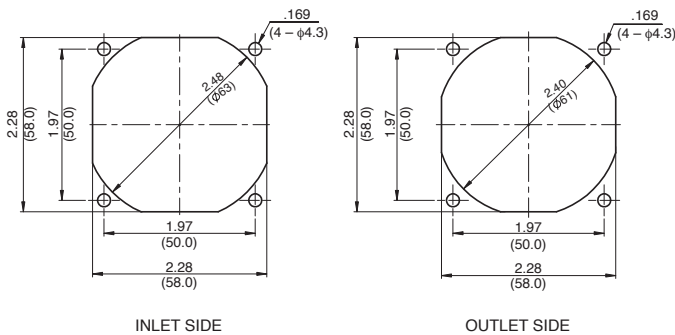
Impeller : Plastic (Black) UL94V-0

Bearing : Ball Bearing

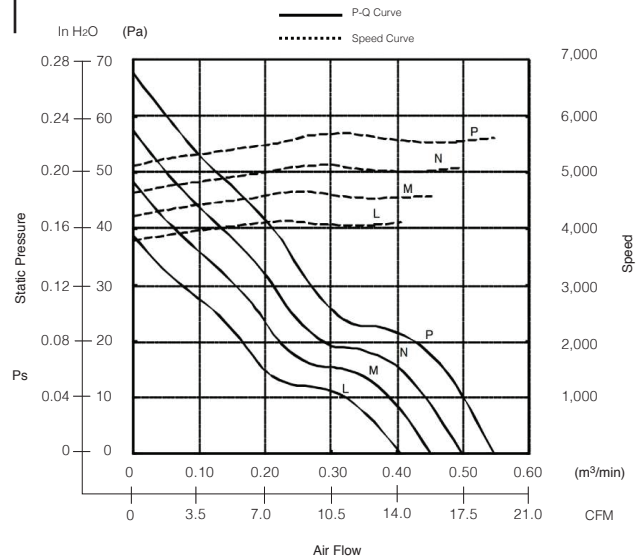
Lead Wire : UL3385, AWG26, +Red, -Black

Panel Cut-Outs

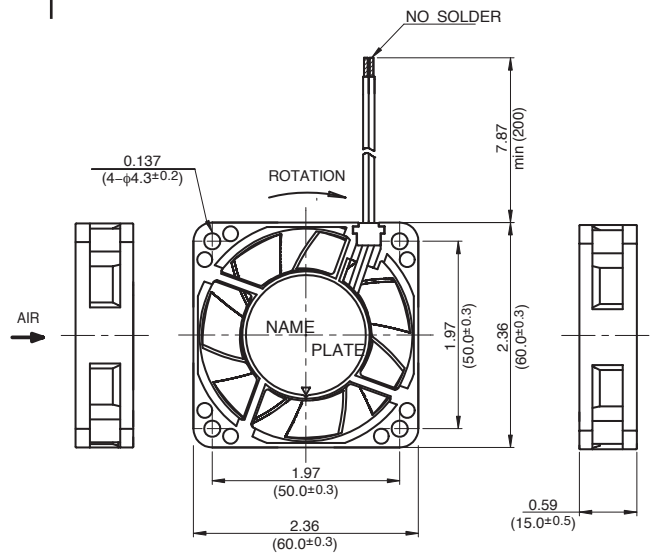
Units: $\frac{\text{inch}}{\text{mm}}$



Characteristic Curves



Outline



Specifications

| MODEL | Rated Voltage | Operating Voltage | Current | Input Power | Speed | Max. Air Flow | | Max. Static Pressure | | Noise | Mass |
|-------------------|---------------|-------------------|-------------------|-------------------|------------------------------------|-------------------|-------------------------------------|----------------------|--------------------|--------------------|------|
| | (V) | (V) | (A) ^{*1} | (W) ^{*1} | (min ⁻¹) ^{*1} | CFM ^{*1} | (m ³ /min) ^{*1} | in H ₂ O | (Pa) ^{*1} | (dB) ^{*1} | (g) |
| 06015VA-24L-CA-00 | 24 | 10.0 ~ 27.6 | 0.04 | 0.96 | 4100 | 14.48 | 0.41 | .16 | 38.8 | 28.5 | 60 |
| 06015VA-24M-CA-00 | 24 | 10.0 ~ 27.6 | 0.05 | 1.20 | 4600 | 15.89 | 0.45 | .19 | 48.3 | 31.0 | 60 |
| 06015VA-24N-CA-00 | 24 | 10.0 ~ 27.6 | 0.06 | 1.44 | 5100 | 17.66 | 0.50 | .23 | 57.5 | 33.5 | 60 |
| 06015VA-24P-CA-00 | 24 | 10.0 ~ 27.6 | 0.07 | 1.68 | 5600 | 19.42 | 0.55 | .27 | 67.7 | 36.5 | 60 |

Rotation: Clockwise

Airflow Outlet: Air Out Over Struts

*1: Average Values in Free Air

Note: PWM/Locked Rotor/Tach Available